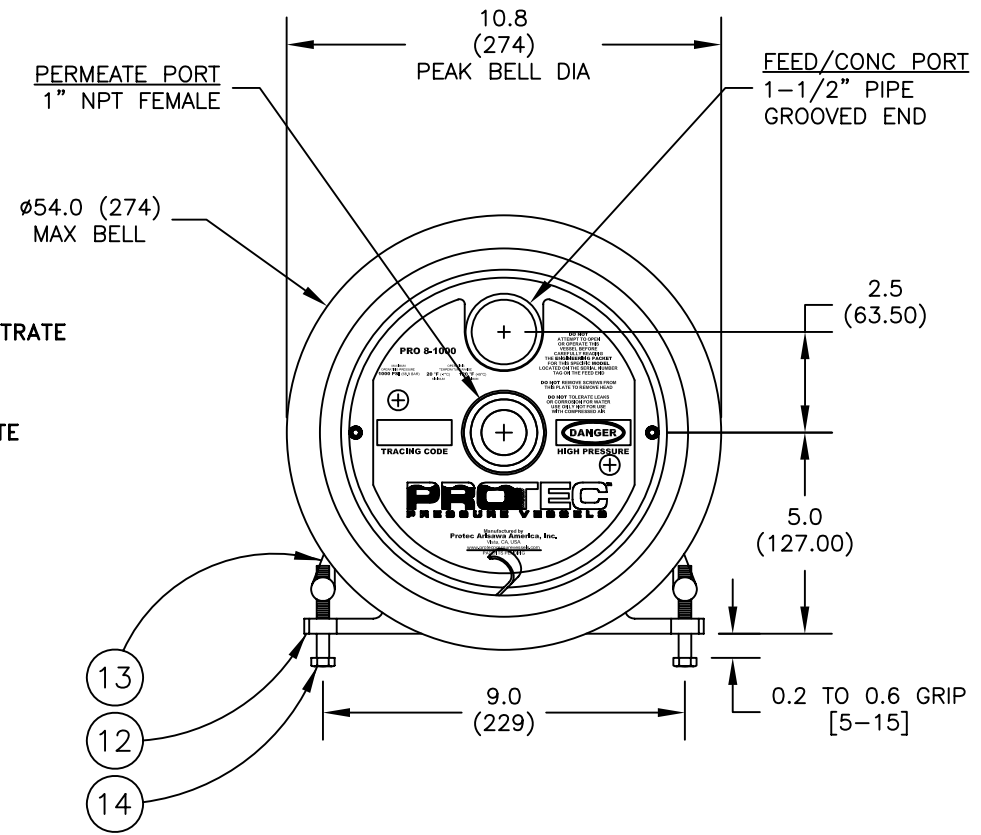
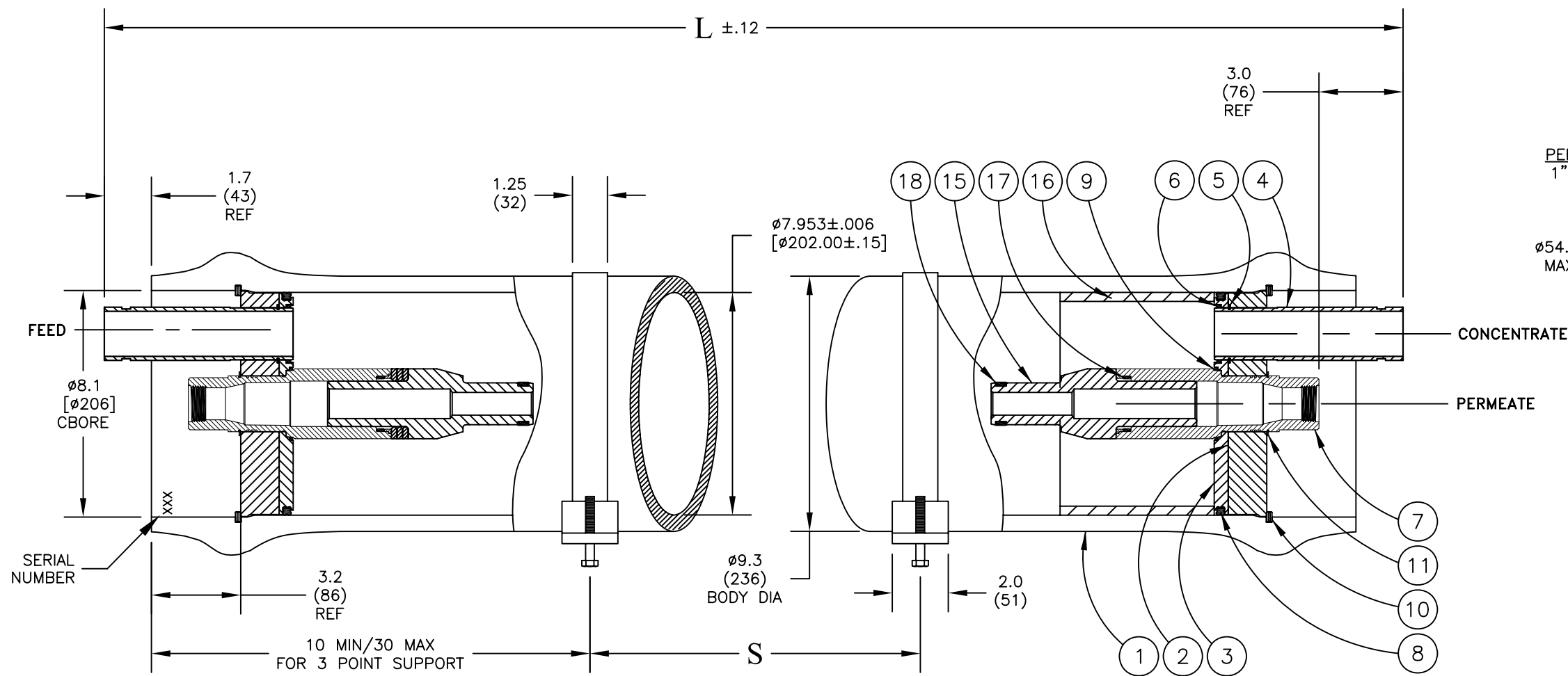


Design Pressure = 1000 PSI @ 120 °F
 Min. Design Temperature = 20 °F @ 1000 PSI
 Hydrotest Pressure = 1100 PSI

1000 PSI
 END PORT



NOTE: STANDARD PARTS ARE SHOWN FOR REFERENCE ONLY
 CHECK ORIGINAL ORDER FOR ORDERING SPARE PARTS

| ITEM | QTY | P/N | DESCRIPTION | MATERIAL |
|------|-----|-------------|-------------------------------|------------------------------------|
| 1 | 1 | 4080005 | Shell | Filament Wound, Epoxy FRP |
| 2 | 2 | 4080033 | Bearing Plate | 6061-T6 Aluminum, SB-221, Anodized |
| 3 | 2 | 4080065-1 | Sealing Plate | PVC Thermoplastic |
| 4 | 2 | 4080231 | Feed/Concentrate Port | SST Super Duplex, SA-790 |
| 5 | 2 | 6121187 | Retaining Ring, F/C Port | Stainless Steel, 316 |
| 6 | 2 | 6184604-N | O-Ring Seal, F/C Port | Ethylene Propylene |
| 7 | 2 | 4080378 | Permeate Port | Noryl GFN2 |
| 8 | 2 | 6100442MK | Head Seal | Ethylene Propylene |
| 9 | 2 | 6110229-N | Permeate Port Seal | Ethylene Propylene |
| 10 | 2 | 4080320 | Retaining Ring w/ Finger Pull | Stainless Steel, 316 |
| 11 | 2 | 6121200 | Retaining Ring, Permeate Port | Stainless Steel, 316 |
| 12 | 2* | 4080175 | Support Saddle | TPR |
| 13 | 2 | 4080137 | Strap Assembly | Stainless Steel, 316 |
| 14 | 4 | 6150001 | Strap Screw | Stainless Steel, 316 |
| 15 | 2 | A/R | Adapter | Thermoplastic |
| 16 | 1 | 4080043 | Thrust Ring | PVC Thermoplastic |
| 17 | 2 | 6110326-N** | Adapter Seal | Ethylene Propylene |
| 18 | A/R | A/R | PWT Seal | Ethylene Propylene |
| 19 | 3 | 4080062-4 | Shim, Adapter | Noryl GFN2 |

*3 each with shell length -4 and longer
 **6110221-N when Permeate Port is not Noryl

NOTES:
 DIMENSIONS IN INCHES (MM APPROX.)
 FOR REFERENCE ONLY, NOT FOR CONSTRUCTION UNLESS CERTIFIED
 SHIMMING OF THE SADDLES MAY BE REQUIRED
 CENTER VESSEL ON 2 OR 3 SUPPORTS AT SPAN(S) "S".
 INCORRECT MANIFOLDING WILL CAUSE SEVERE LOCAL STRESS AROUND PORT AND MAY RESULT IN LEAKS AND PREMATURE FAILURE. TAKE EVERY PRECAUTION LISTED IN THE ENGINEERING PACKET OR USERS MANUAL.
 INTERNAL PERMEATE PRESSURE MUST NOT EXCEED 125 PSI.
 ASME SECTION X, 2010
 RP CODE STAMP OPTIONAL
 SPECIFICATIONS SUBJECT TO CHANGE WITHOUT NOTICE



PRO 8-1000-EP

| | | | | |
|---------------------------|-------|--------------------|-------------------|----------|
| APPROVED AP 5/11/01 | ECO | REVISED 4/28/11 | DRAWING 101011 | REV P |
| CHECKED AP 5/11/01 | 10119 | | | |
| DRAWN AP 5/11/01 | | | | |

| Shell Length Code | L inch (mm) | S Span in (mm) | Empty Weight lb (kg) |
|-------------------|---------------|----------------|----------------------|
| -1 | 65 (1651.00) | 34 (863.60) | 106 (48) |
| -1.5 | 85 (2159.00) | 45 (1143.00) | 129 (59) |
| -2 | 105 (2667.00) | 56 (1422.40) | 152 (69) |
| -3 | 145 (3683.00) | 80 (2032.00) | 198 (90) |
| -4 | 185 (4699.00) | 104 (2641.60) | 244 (111) |
| -5 | 225 (5715.00) | 128 (3251.20) | 290 (132) |
| -6 | 265 (6731.00) | 150 (3810.00) | 336 (153) |
| -7 | 305 (7747.00) | 3 PTS. | 382 (174) |
| -7.5 | 325 (8255.00) | 3 PTS. | 405 (184) |
| -8 | 345 (8763.00) | 3 PTS. | 428 (195) |